

SCAN OPTICS

**SO-111-R/RF
MICROSCOPE**

USER MANUAL

CONTENTS

<i>CONTENTS</i>	2
<i>LIST OF FIGURES</i>	2
<i>INTRODUCTION</i>	3
<i>INTRODUCTION</i>	3
<i>PARTS LIST</i>	5
<i>ASSEMBLY INSTRUCTIONS</i>	6
TABLE MOUNTING	6
MOUNTING TO THE SO-331 FLOOR STAND	7
BATTERY CONNECTION, OPERATION, MAINTENANCE AND SAFETY	9
<i>USING THE MICROSCOPE</i>	10
ARTICULATED ARM	10
POSITIONING THE MICROSCOPE	11
POWER SUPPLY CONTROLS	11
LAMP REPLACEMENT	12
USING THE FOOT CONTROL (SO-111-RF ONLY)	13
STERILISATION AND CLEANING	13
<i>ACCESSORIES</i>	14
SO-1350 VIDEO SYSTEM - OPTIONAL	14
CARE OF THE OPTICAL HEAD	16
ADJUSTING FOCUS FRICTION	17
MOULD PELLET REPLACEMENT	18
<i>TROUBLESHOOTING</i>	20
<i>SPECIFICATIONS</i>	21

LIST OF FIGURES

Figure 1: SO-111-RF Microscope	3
Figure 2: SO-111-R Microscope, shown with SO-331 Floor stand	4
Figure 3: Assembling the SO-111-RF Microscope	7
Figure 4: Assembling the SO-111-R Microscope with SO-331 Floor stand	8
Figure 5: SO-111-R/RF Power supply bottom panel	9
Figure 6: Articulated arm features	10
Figure 7: SO-111-R/RF Power supply top panel	11
Figure 8: Replacing the lamp	12
Figure 9: Sterilisable covers	13
Figure 10: SO-1350 video camera attachments shown with SO-111-RF microscope	15
Figure 11: Adjusting focus friction on the SO-111-RF Microscope	17
Figure 12: Replacing the mould pellet – standard SO-111-R microscope shown	18
Figure 13: Replacing the mould pellet – microscope fitted with video camera	19

INTRODUCTION

Please read the following information carefully before installing and using the Scan Optics SO-111-R/RF Ophthalmic microscope. Scan Optics is responsible for the safety, reliability and performance of the equipment only if it is used in accordance with these instructions.

This microscope is designed for use by a certified practitioner, for magnified observation of patients, and for use in an operating theatre as an observation aid during surgery. Environmental storage and packing conditions of 60-95% relative humidity and 10-40 °C, are recommended for this product.

No parts or accessories supplied with this microscope are supplied in a sterile condition.

Apart from those instructions within this manual, there are no user-serviceable parts in this microscope. Scan Optics will retain the discretion to advise whether any repairs may be taken out by external qualified technical personnel, or whether part(s) of the microscope must be returned to the manufacturer's premises for service or repairs to be carried out under warranty or otherwise. Where appropriately qualified technical personnel are identified by a user, and ratified by Scan Optics, then Scan Optics will make available on request any information that will assist in repairing the equipment.

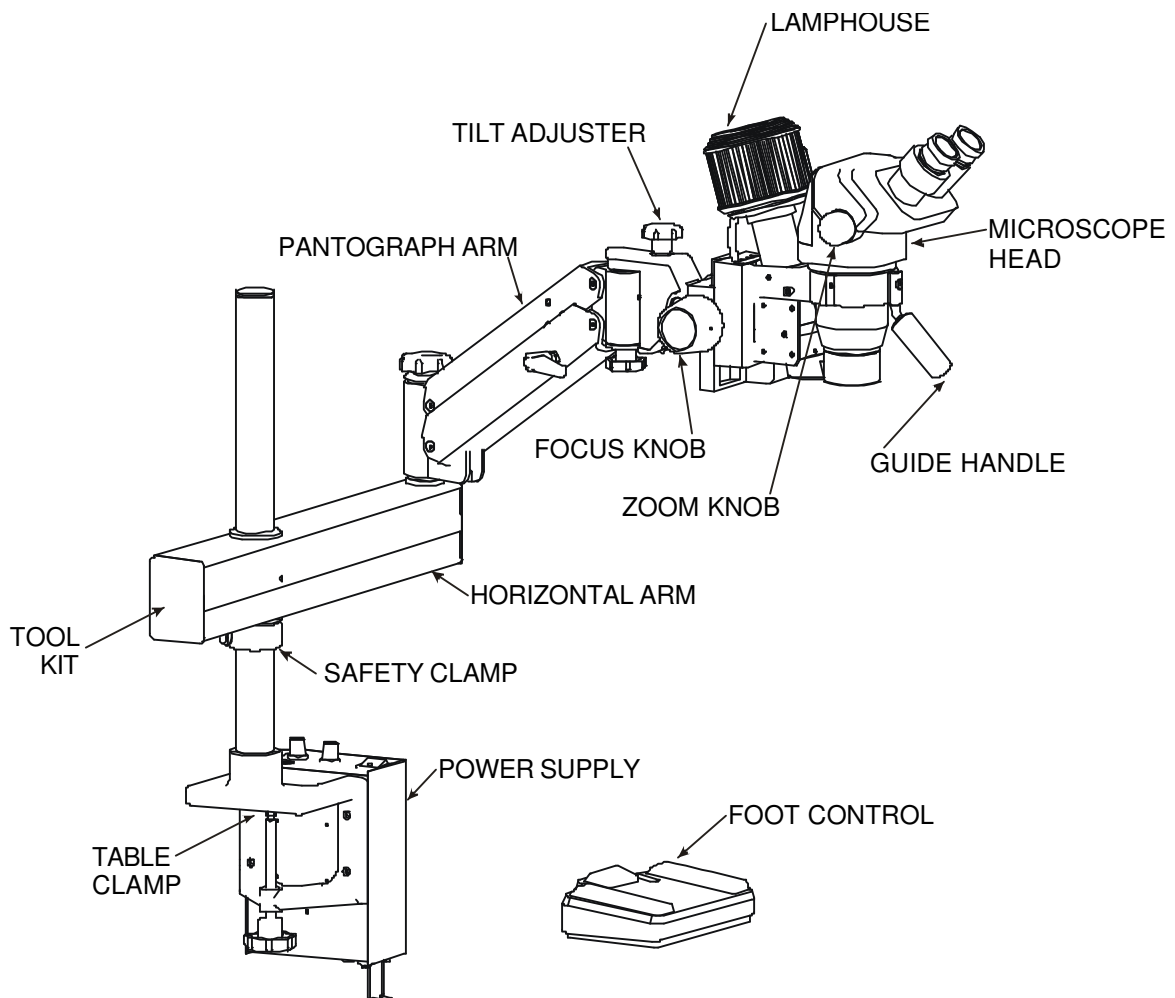


Figure 1: SO-111-RF Microscope

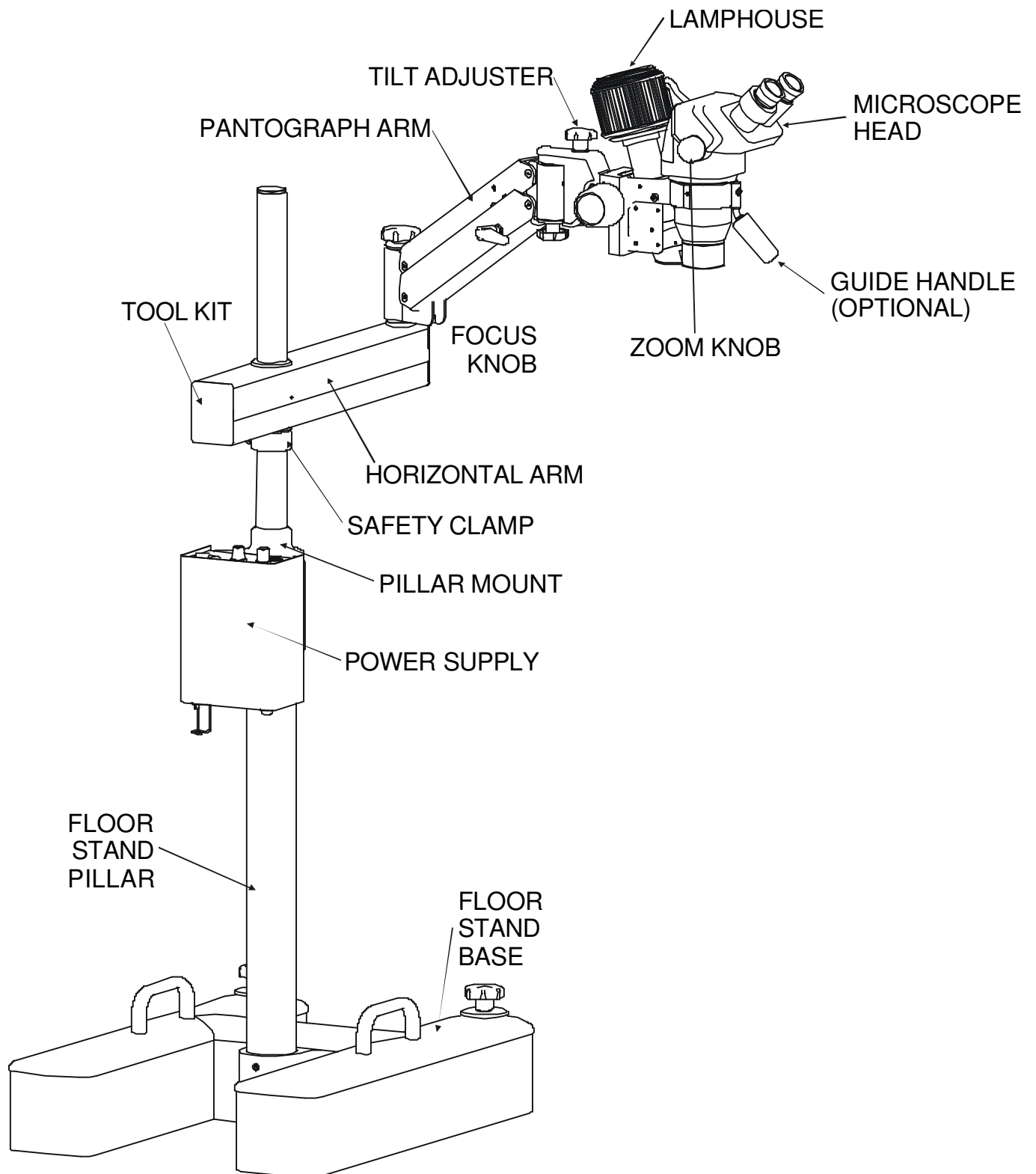


Figure 2: SO-111-R Microscope, shown with SO-331 Floor stand

PARTS LIST

MAIN ASSEMBLIES

Power supply assembly	includes power supply mounted on G-clamp/pillar assembly and safety clamp
Articulated Arm Assembly	includes horizontal arm with built-in tool box and adjustable pantograph arm)
Microscope Assembly	includes tilt adjuster, microscope head, guide handle, lamphouse, universal arm and cable)

CABLES

Mains Cable	1
12V dc Supply (Battery) Cable	1

OTHER

Focus Knob Sterilisable Covers	2
Zoom Knob Sterilisable Covers	4
Guide Handle Sterilisable Covers	2
Eyepieces	2

TOOL KIT (INSIDE HORIZONTAL ARM)

Spare lamp module	1
Socket keys	set 7: 1.5mm, 2mm, 2.5mm, 3mm, 4mm, 5mm, and 6mm
Lens Cloth	1

SO-111-RF ALSO INCLUDES

Foot Control	1
Power focus assembly	included on microscope head assembly

OPTIONAL ACCESSORIES

	SCAN OPTICS PART NUMBER
Floor stand (heavyweight)	SO-331*
Floor stand (lightweight)	SO-311
Complete coaxial video system	SO-1350
Coaxial digital camera and printer	SO-1355
35 mm coaxial camera	SO-1375
Binocular assistant microscope	SO-1420
Pupillary distance setter	SO-1510
Side handle	
Guide handle	

*Note that in SO-111-R/RF microscopes supplied with the SO-331 floor stand, the power supply assembly is mounted on a pillar fitting, not a G-clamp. Refer to this manual for details.

ASSEMBLY INSTRUCTIONS

TABLE MOUNTING

1. Remove the power supply assembly from the carton, and fix it firmly to the table using the G-clamp knob. Use hand tightening only to fix the assembly in place – use of a spanner or pliers to tighten the screw may strip the thread or produce excessive deflection in the clamp.
2. Move the safety clamp up the pillar to the desired height of the fixed arm, and lock it in place with the thumbscrew.
3. Remove the arm assembly from the carton and loosen the elbow lock knob to allow the pantograph arm to rotate about the end of the fixed arm. Then place the arm on the pillar so that it rests on the safety clamp.
4. Remove the head assembly from the carton and place the pin into the collet at the end of the pantograph arm. Tighten the wrist lock knob under the collet to secure the head assembly in place.
5. Connect the lamphouse cable to the socket located on the top of the power supply box.
6. Connect the mains cable to the IEC socket located on the under-side of the power supply box. Use the cable-retaining clip to secure the plug in place. Connect the other end of the mains cable to a reliable EARTHED mains power supply.
7. Check the setting of the voltage selector located on the under-side of the power supply box. If necessary, change the setting to 120 or 240V as required, using a flat-head screwdriver or coin. Severe damage to the power supply may result if this is incorrectly set.
8. Switch on the mains power supply at the mains socket. When the ON/OFF switch is selected to ON, the power supply indicator on the switch will light up.
9. Remove the microscope eyepiece blanks from the head assembly and insert the eyepieces. Retain the eyepiece blanks in the eyepiece packaging for when the microscope is repacked. Do not discard the eyepiece blanks.
10. When focusing the microscope, look with the right eye through the right eyepiece first and use the focus knob or foot control to bring a target into focus at the preferred magnification. Then look through the left eyepiece with the left eye and adjust the dial to compensate for any relative refractive error between the eyes.
11. Remove two (large) focus knob covers and two (small) zoom knob covers from the bag inside the carton. Push them into position on to the knobs on the side of the microscope head. (SO-111-RF one only focus knob cover is required)
12. Remove the guide handle cover from the bag inside the carton and slide it over the guide handle located at the front of the microscope. The guide handle is supplied as standard on SO-111-RF microscopes and is optional on SO-111-R microscopes. The guide handle may be used to manoeuvre the microscope during surgery. However, in the event that it is obstructive it may be completely removed and the focus knobs may be used instead.

SO-111-RF Only

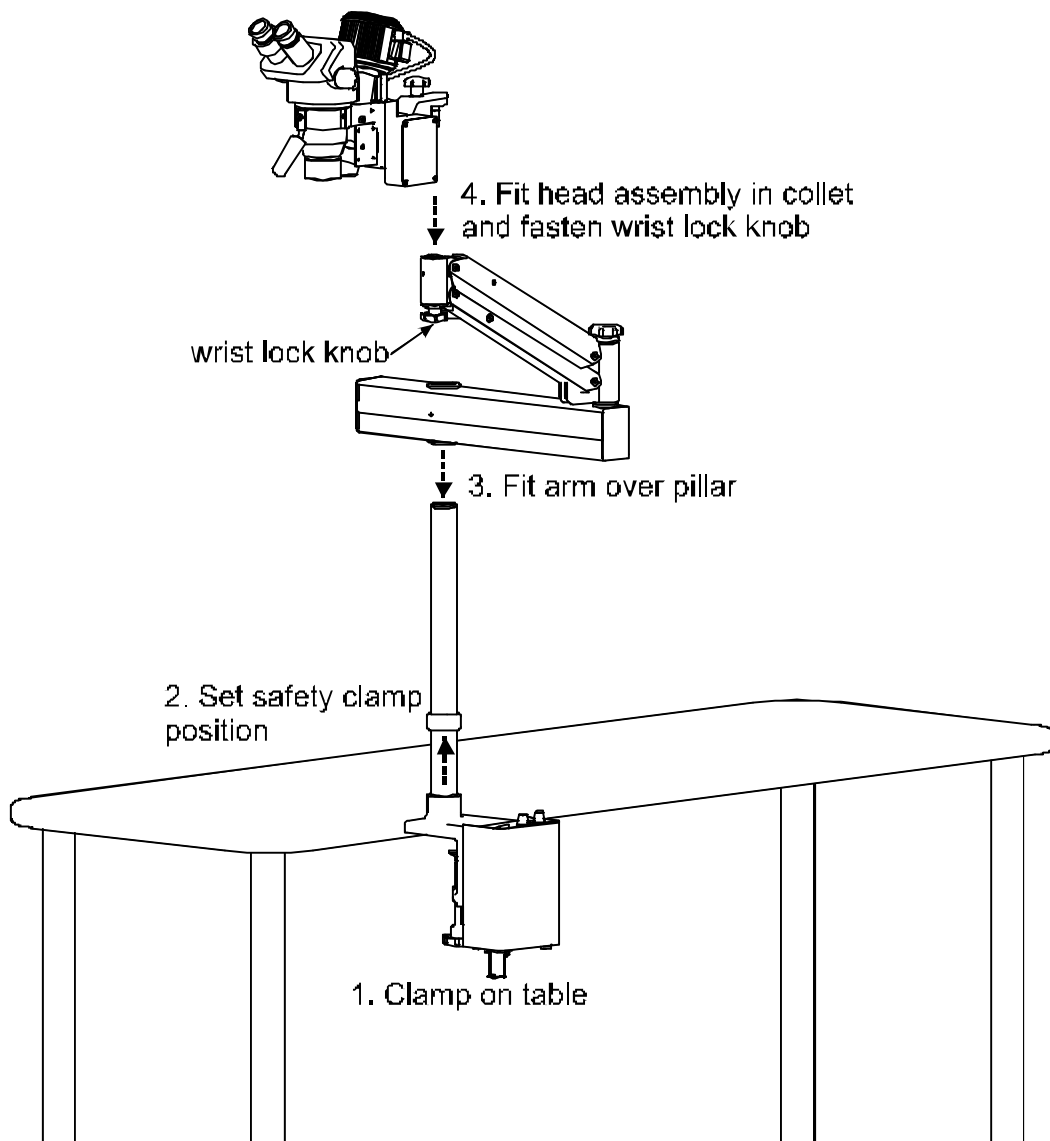
13. Remove the foot control from the carton and connect the cable to the 4-pin socket located on the under-side of the power supply box.

CAUTION:

- Scan Optics recommend that ALL packaging materials be retained by the user in a safe place, in case of future transit needs.
- All covers are intended to be sterilised before any operating procedures.
- **The mains power supply must have a protective earth conductor.** If there is no earth conductor, or if the integrity of the earth conductor arrangement is in doubt, the equipment must be operated from a 12Vdc power source.

MOUNTING TO THE SO-331 FLOOR STAND

1. Carefully lift the floor stand base out of the carton using the handles that are fixed to the top. The floor stand base is extremely heavy and should only ever be lifted with the assistance of another person. Place the floor stand base on the floor. Remove the pillar from the carton and place it in the floor stand base. Tighten the two grub screws using the 5mm socket key found in the tool kit to fix the pillar assembly in place.
2. To fix the floor stand base, screw the knobs down until the stops are resting evenly on the floor, then screw the knurled discs down on to the floor stand base to lock the stops. To unlock the floor stand, screw the knurled discs back up, and then unscrew the knobs until the wheels can move freely.
3. Place the pillar fitting/power supply assembly on the pillar and tighten the two grub screws to fix the assembly in place.
4. Continue assembling the microscope from step 2 of the instructions for table mounting.

**Figure 3: Assembling the SO-111-RF Microscope**

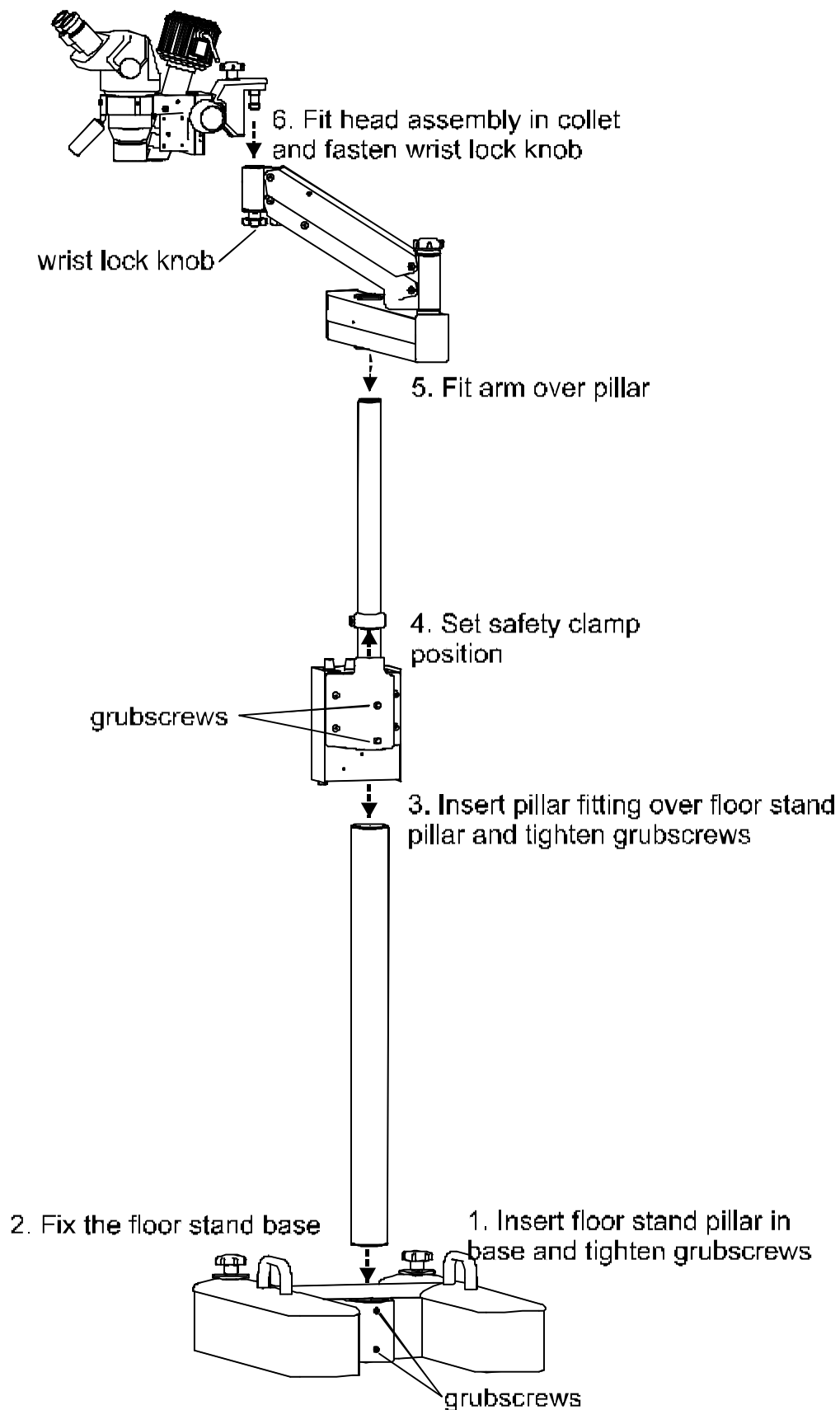


Figure 4: Assembling the SO-111-R Microscope with SO-331 Floor stand

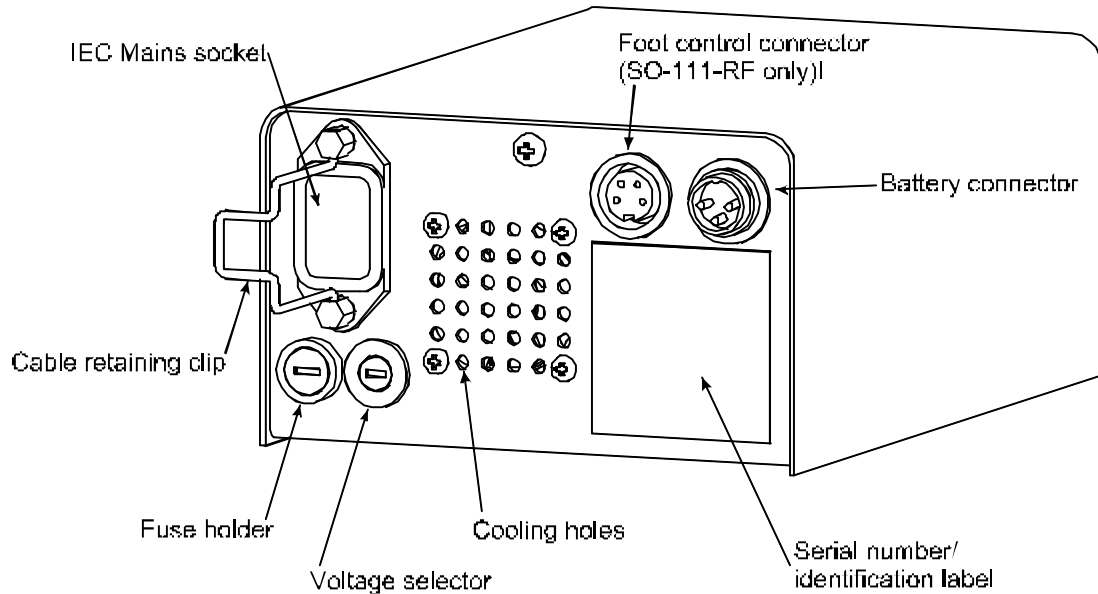


Figure 5: SO-111-R/RF Power supply bottom panel

MOUNTING TO THE SO-311 FLOOR STAND

1. Assemble the floor stand according to the instructions provided with it.
2. Clamp the power supply assembly to the mounting plate at the top of the floor stand.
3. Continue assembling the microscope from step 2 of the instructions for table mounting.

CAUTION:

- Scan Optics advise caution when using the SO-311 floor stand with this microscope. To prevent over-balancing, use sandbags or a similar method to weigh down the floor stand legs. Try to use the fixed arm and pantograph arm in a compact orientation to minimize the moment arm acting on the floor stand.

BATTERY CONNECTION, OPERATION, MAINTENANCE AND SAFETY

Scan Optics recommend the use of sealed rechargeable lead-acid 12V batteries such as Scan Optics Cat Nos. SO-251 (small, light, lower (7Ah) capacity) and SO-9210 (large, heavy, higher (35Ah) capacity). These batteries are **maintenance-free** and can be operated, charged or stored in any position without leakage.

1. If the power supply is to be connected to a 12-volt dc supply, remove the battery cable from the carton and connect the cable to the 3-pin plug on the underside of the power supply.
2. Connect the red battery clip to the positive battery terminal, and the black clip to the negative battery terminal. The power supply will not operate if the terminals are reversed.

CAUTION:

- The 12-volt supply must be direct current. The power supply will not operate with 12 volts alternating current.
- Do not charge these batteries in a sealed container.
- Avoid short-circuiting batteries.
- Old lead-acid batteries of any type must be disposed of correctly. It is recommended that they are recycled by an appropriate establishment who recycle car batteries. Lead acid batteries should not be disposed of with ordinary household or medical waste, as lead poisoning or acid trauma may result.
- Where battery backup is used, Scan Optics recommends a periodical check of the battery to ensure it is charged and functional.

USING THE MICROSCOPE

ARTICULATED ARM

The articulated arm includes a number of features that enable the microscope to be adjusted in almost any position.

1. The horizontal arm may rotate about the vertical pillar by unlocking the pillar lock knob. To prevent the arm from rotating, simply lock the knob.
2. The pantograph (moving) arm may rotate about the end of the horizontal arm by unlocking the elbow lock knob. To prevent the arm from rotating, simply lock the knob.
3. The amount of force required to move the pantograph arm up and down may be adjusted by rotating the screw located at the top of the elbow joint. To adjust the gas spring force, first move the pantograph arm down to reveal the screw through the slot in the top of the arm. Use the socket key located in the toolbox to rotate the screw. To decrease the amount of force required to move the arm, rotate the screw clockwise. To increase the amount of force required to move the arm, rotate the screw anticlockwise. If the screw is adjusted to its limit, rotate the screw half a turn in the opposite direction to ensure the arm continues to operate smoothly.
4. The amount of friction in the pantograph arm may be adjusted by rotating the handle located on the side of the pantograph arm. The arm may be locked in any position or alternatively, the amount of friction can be set so that the arm is stable but will move when a force is applied.
5. The wrist lock knob located on the under-side of the end of the pantograph arm is used to lock the microscope assembly into place. To release the microscope assembly, simply unscrew the knob and lift the assembly carefully out of the collet.
6. The microscope head may be tilted up by some 5° and down by 45°, by rotating the tilt adjustment knob. To tilt the head down, rotate the knob in the clockwise direction. To tilt the head up, rotate the knob anticlockwise.
7. The guide handle may be used to manoeuvre the microscope once the appropriate friction has been set on the other knobs.

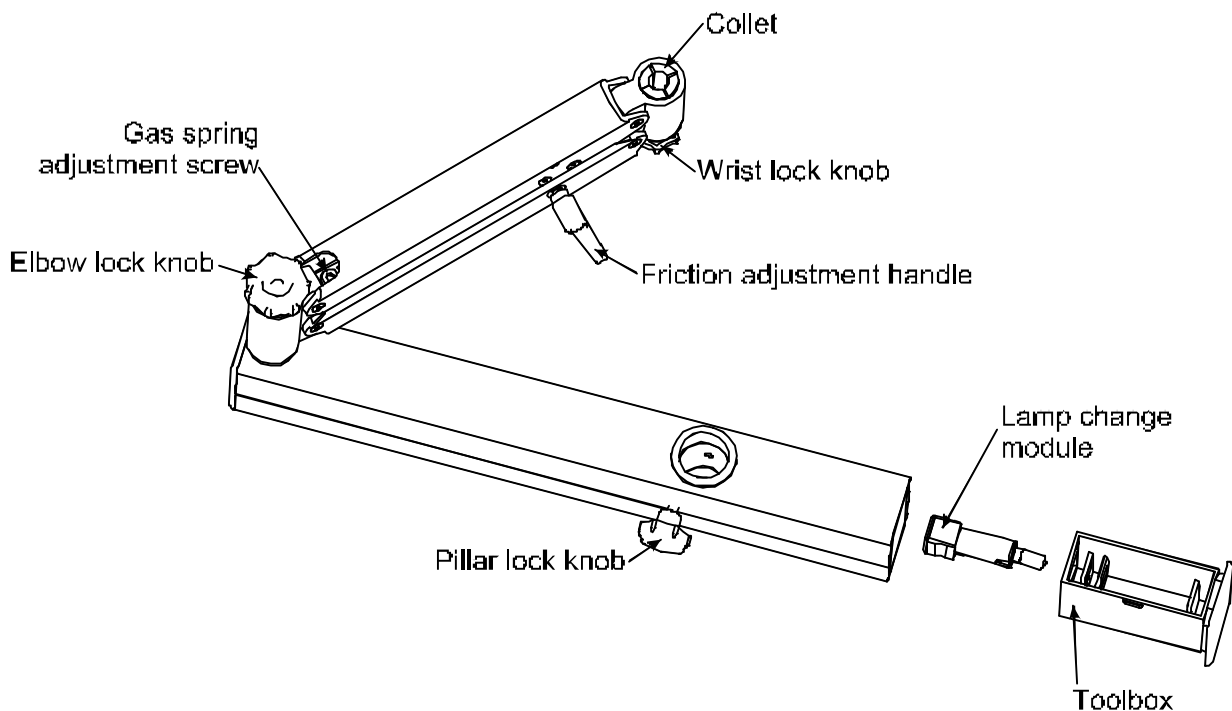


Figure 6: Articulated arm features

POSITIONING THE MICROSCOPE

Note that the equipment must be located more than 25 cm away from any medical gas system or disinfection or degreasing system containing flammable vapour. The power supply must also be protected from liquid splashes and spills.

1. Set the instrument approximately in position by swinging the elbow as required.
2. Set the focus adjustment to the midway position by rotating the focus knob appropriately.
3. Adjust the height of the microscope by moving the arm vertically so that the work area is approximately in focus. Tighten the pillar and elbow lock knobs.
4. Check the eyepiece setting to ensure clear vision with each eye separately, and set the pupillary distance. Note that the working distance is increased by rotating both eyepieces in a clockwise direction, and reduced by rotating both eyepieces counter-clockwise.
5. The microscope can now be swung aside ready for use with a patient.
6. Swing the microscope over the patient
7. The most accurate focusing can be obtained at the highest magnification, as the depth of focus is then minimised.
8. Tighten the pillar lock knob until the microscope is prevented from moving freely, but is still able to be moved when required. The friction of the arm and elbow knobs should be adjusted so that the movement feels uniform in all directions.
9. To swing the microscope out of the way, unlock the pillar lock knob and swing the microscope about the vertical pillar. It will remain in focus when returned to the work area.

POWER SUPPLY CONTROLS

Switch the microscope on using the mains switch – the LED mounted in the switch will glow when the microscope is switched on. Use the manual light intensity adjustment and focus speed adjustment (SO-111-RF only) to obtain suitable settings. Note that lamp life will be extended if a lower light intensity setting is used.

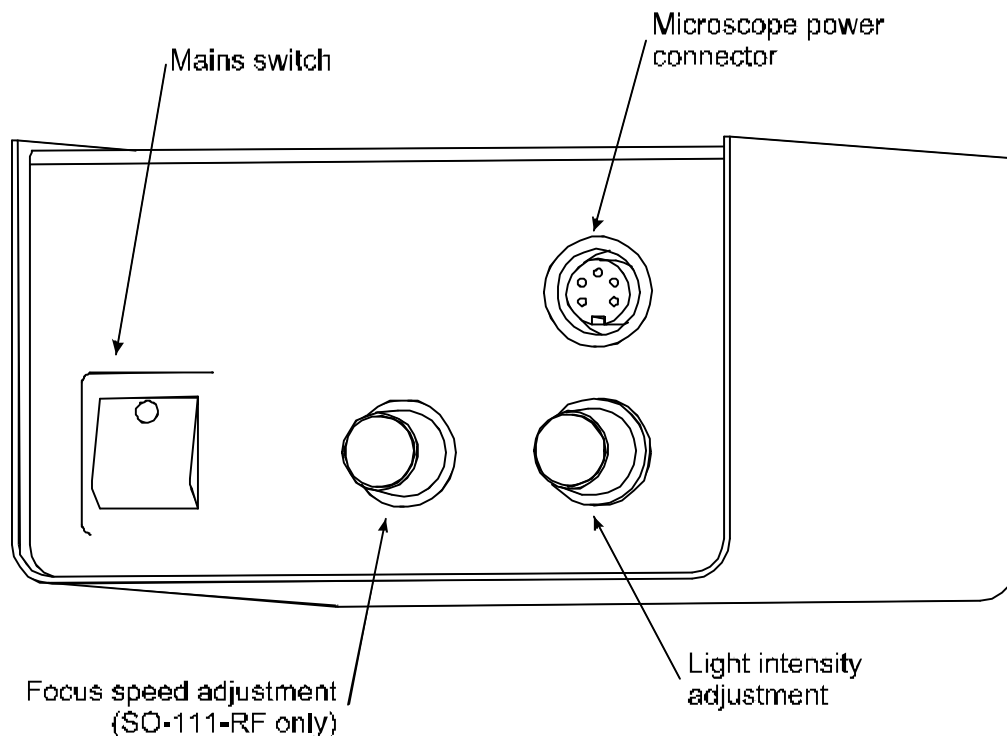


Figure 7: SO-111-R/RF Power supply top panel

LAMPHOUSE AND LAMP

1. The lamp house on the SO-111-R ophthalmic microscope produces a coaxial light that provides a red fundus reflex from the back of the eye. The intensity of the light may be controlled from the top panel of the power supply. The lamp supplied has a rated average life of 50 hours, but the actual life of the lamp will depend on the intensity setting normally used. The highest setting will increase light output but will reduce lamp life. Conversely, running the lamp at the lowest setting will produce a lamp life of greater than 50 hours.
2. It is strongly recommended that the lamp be replaced as a routine maintenance task, to reduce the possibility of failure during surgery.

LAMP REPLACEMENT

1. Remove the toolbox from the horizontal arm by pulling it out horizontally. The spare lamp module is located at the end of the toolbox, and may be removed by pulling out horizontally.
2. Pull out the old lamp module from the side of the lamp house by gripping the rectangular block located beneath the cable gland at the back of the lamp house. Place the replacement module in the lamp house so that the pins engage in the sockets and 'click' into place.
3. When the old lamp has cooled down, it may be replaced by gripping the lamp holder at the sides where the rectangular cutout is located, and pulling the lamp out. Do not attempt to pull the lamp out by gripping the glass capsule. Push the new lamp into the socket so that the lamp flange sits flush on the front of the locating tube. Ensure that the new lamp is free of grease or fingerprints before replacement. Use of protective gloves during this procedure may be useful. Any grease marks should be removed with a solvent such as methanol to avoid reducing lamp life. This assembly is now ready for use as a new quick-change lamp module and may be replaced in the toolbox.

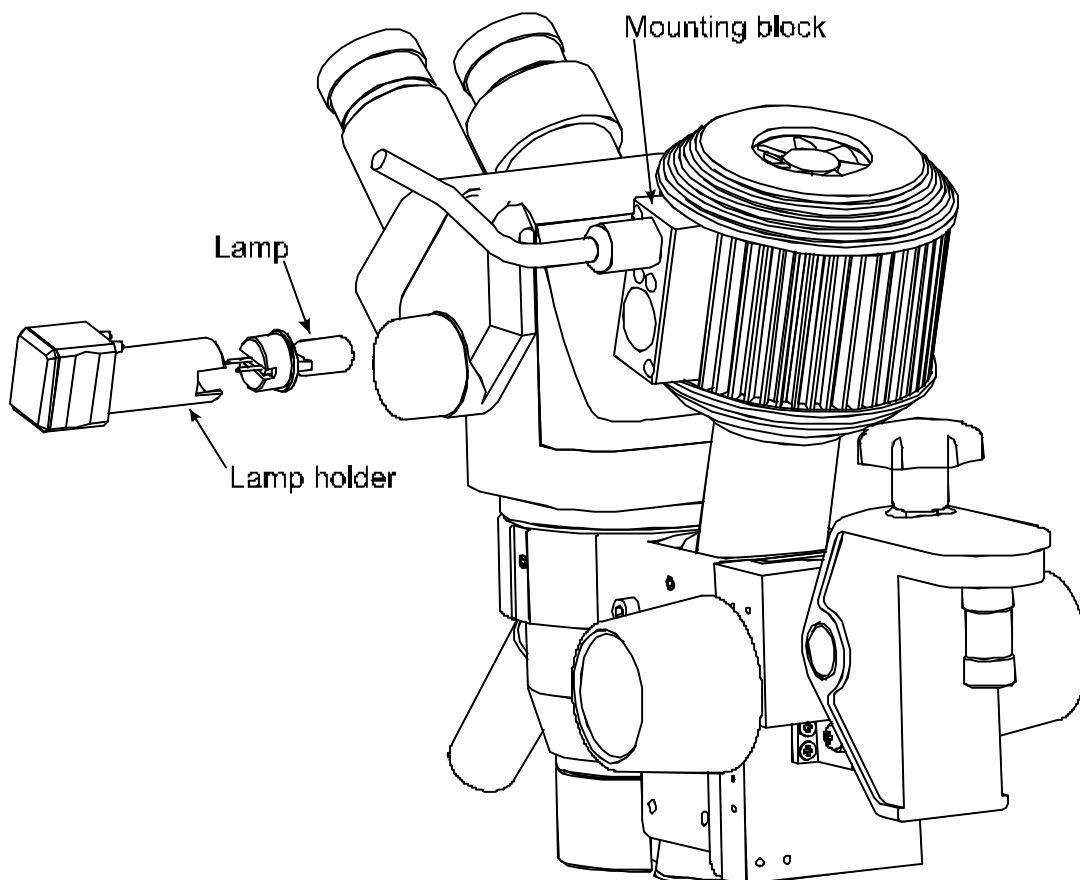


Figure 8: Replacing the lamp

USING THE FOOT CONTROL (SO-111-RF ONLY)

The foot control enables the surgeon to focus the microscope remotely, thus enabling both hands to be kept free for surgery.

1. The left side pedal focuses the microscope down. The right side pedal focuses the microscope up. The central pedal is disabled in this model.
2. The focus knob may still be used to focus the microscope manually. However, Scan Optics recommends that the foot control be disconnected if this method is used in preference. This will prevent any accidental motor-driven movement that may counteract the manual focusing action. In addition, less friction will be encountered since the motor itself will not be acting as a brake.

CAUTION:

- Do not attempt to manually focus the microscope at the same time as using the foot control. This action will strip the drive gears inside the focus drive housing and may also cause damage to the drive shaft and focus rack.

STERILISATION AND CLEANING

1. The removable covers may be sterilised by boiling, autoclaving, chemical sterilisation or gas sterilisation.
2. One set of covers can be sterilised while the other is in use.
3. The anodised and plated metal components can be wiped with any of the normal disinfectants.
4. The plastic parts and the paintwork of the microscope assembly and the power supply may be affected by organic solvents. Do not autoclave or wipe with organic solvents such as ether, xylene or alcohol. To clean, use water-based solvents only.
5. Focus covers are used to cover focus knobs only
6. Zoom covers are used to cover zoom knobs, SO-1420 binocular assistant microscope focusing knobs and SO-1510 PD adjuster knob
7. Guide handle covers are used for the optional guide handle and side handles

CAUTION:

- National authorities may require the use of specific sterilisation or disinfection methods.

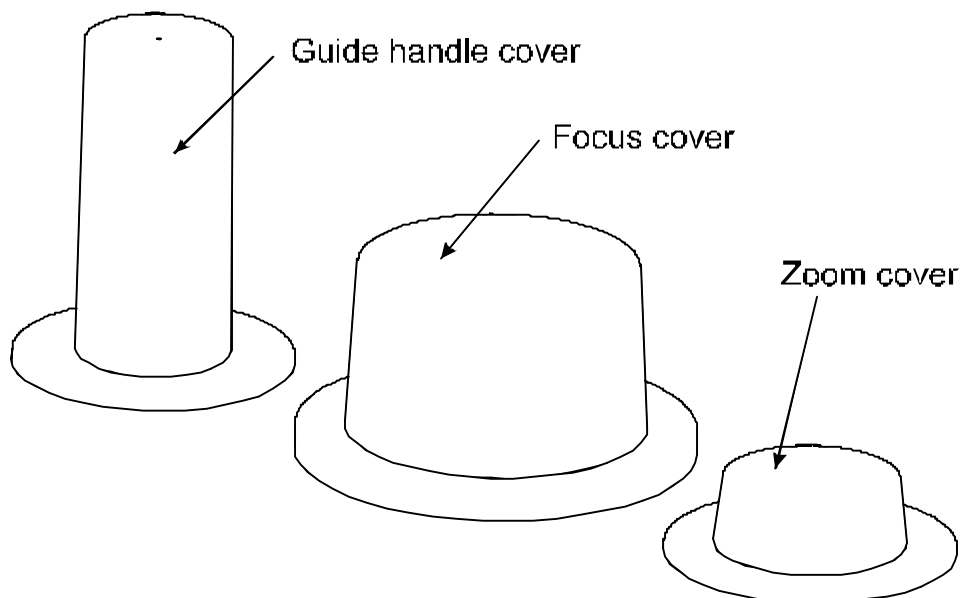


Figure 9: Sterilisable covers

ACCESSORIES

SO-1350 VIDEO SYSTEM - OPTIONAL

The SO-1350 video system produces a coaxial image of the visual field which may be displayed on a monitor. The SZ-TRU beamsplitter fitting diverts a proportion of light within the microscope to a mirror, this light is focussed through the SZ-CTV unit and into the video camera. Video data from the camera is input to the monitor and displayed on the screen.

To assemble the video system:

1. Loosen the SZ-TRU retaining screws and remove the cover. Retain the cover in a safe place.
2. The video camera and SZ-CTV will be supplied fitted together in an assembly. Place the assembly into the SZ-TRU unit and tighten the retaining screws.
3. The 6.4" monitor mounts on the plate positioned on the end of the monitor mounting arm. To mount the arm on the pillar, first slide the additional safety clamp to the preferred position on the pillar and lock it in place. Fit the arm over the pillar so that it is resting on the safety clamp. Fix the monitor mounting bracket on the plate using the screws provided. Adjust the mounting bracket to set the preferred viewing angle.
4. Identify the camera/monitor power 'Y' cable. Connect the 'Y' ends of the cable to the camera and monitor respectively. Connect the single end to the monitor power supply output.
5. Connect the video cable between the video camera and the monitor. Note that at the video camera end, the BNC-RCA adapter (supplied) is required. Where the (standard) 6.4" monitor is supplied, plug the other end of the video cable into the A/V in socket on the monitor. Where the 13" monitor is supplied, plug the other end of the video cable into the RCA socket located between the A/V and AUX monitor inputs.
6. Switch the monitor on and observe the image produced. If the image is rotated relative to the image observed through the microscope eyepieces, loosen the SZ-CTV retaining screw and rotate the camera assembly until the image corresponds to the eyepiece image.
7. Observing through the eyepieces, focus the microscope on a target using a mid-range zoom setting (or the user's preferred zoom setting). Then observe the image on the monitor. If necessary, adjust the video camera focus setting located on the SZ-CTV unit to achieve a crisp image.

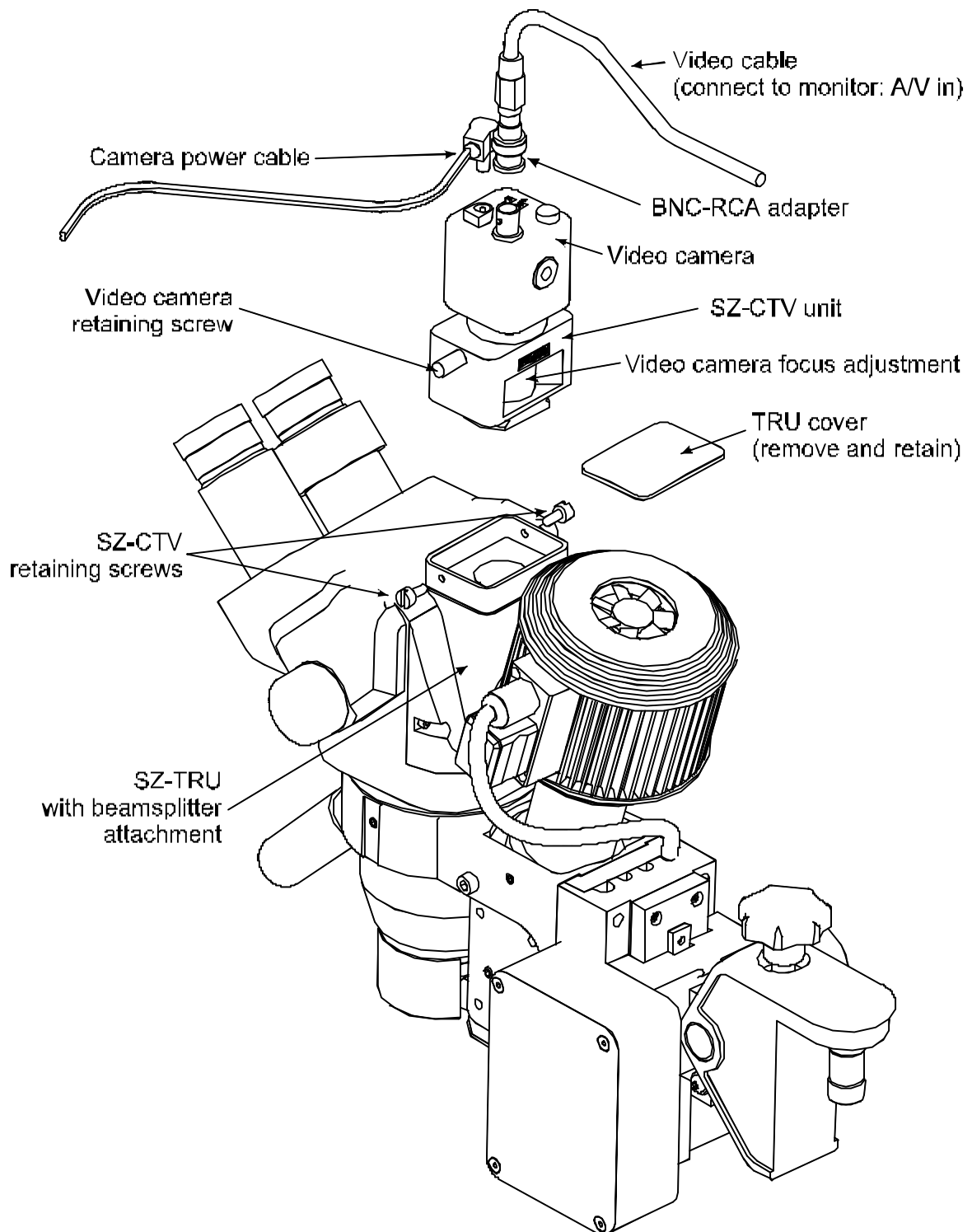


Figure 10: SO-1350 video camera attachments shown with SO-111-RF microscope

CARE AND MAINTENANCE

CARE OF THE OPTICAL HEAD

1. *Cleaning the optical components.*
The eyepieces should be checked for cleanliness each time the instrument is used. Surface dust should be removed with a clean, soft brush. Fingerprints or grease may be removed by lightly wiping with a cotton cloth or lens tissue moistened with a 70:30 mixture of absolute alcohol (either ethanol or methanol) and ether. **Do not use acetone as it may damage the surface coating.**
2. *Cleaning the plastic parts and paintwork.*
Use water based cleaners only.
Do not use any organic solvent such as alcohol, ether or xylene.
3. *Protection against mould.*
In hot and humid climates, it is common for mould to grow on optical surfaces. Cleaning and repairing the damage can be expensive and inconvenient. To minimise the risk of mould forming, do not leave the instrument without either eyepieces or eyepiece blanks inserted and always store the optical head in a sealed bag containing silica gel desiccant. In tropical climates, routine annual maintenance of the optical head is recommended.
4. *Do not dismantle.*
With the exception of the anti-mould pellet, no parts inside the optical head of the instrument can be serviced by the user. Attempts to dismantle the optical head or prism cover will make any warranty void.

ADJUSTING FOCUS FRICTION

SO-111-R Microscope

The focusing system should allow the microscope head to be lowered and raised smoothly and easily, but should not allow the head to fall under its own weight. To adjust the friction, simply hold the plain (left) focus control knob and rotate the right focus control knob (marked “tension”) until the desired friction is achieved. To increase the friction rotate the knob clockwise, to decrease the friction rotate the knob anti-clockwise.

SO-111-RF Microscope

Focus friction on this microscope should be set so that the motors can easily drive the microscope up and down when focusing using the foot control. Excessive friction means the drive motor must work harder to move the microscope. However, if the friction is set too low, the microscope can still fall under its own weight.

To Increase Friction

1. Focus the microscope down to the lower limit of the focussing range. Remove the focus drive cover with a screwdriver.
2. Loosen the two grub screws, which lock the knob onto the focus shaft. Use the socket key provided in the toolbox.
3. Hold the large gear in one hand while screwing the knob in to increase the friction. Lock the grub screws and check for the desired friction setting. Replace the focus drive cover.

To Decrease Friction

1. Focus the microscope up to the upper limit of the focussing range. Remove the focus drive cover with a screwdriver.
2. Loosen the two grub screws that lock the knob onto the focus shaft. Use the socket key provided in the toolbox.
3. Hold the large gear in one hand while unscrewing the knob out to decrease the friction. Lock the grub screws and check for the desired friction setting. Replace the focus drive cover.

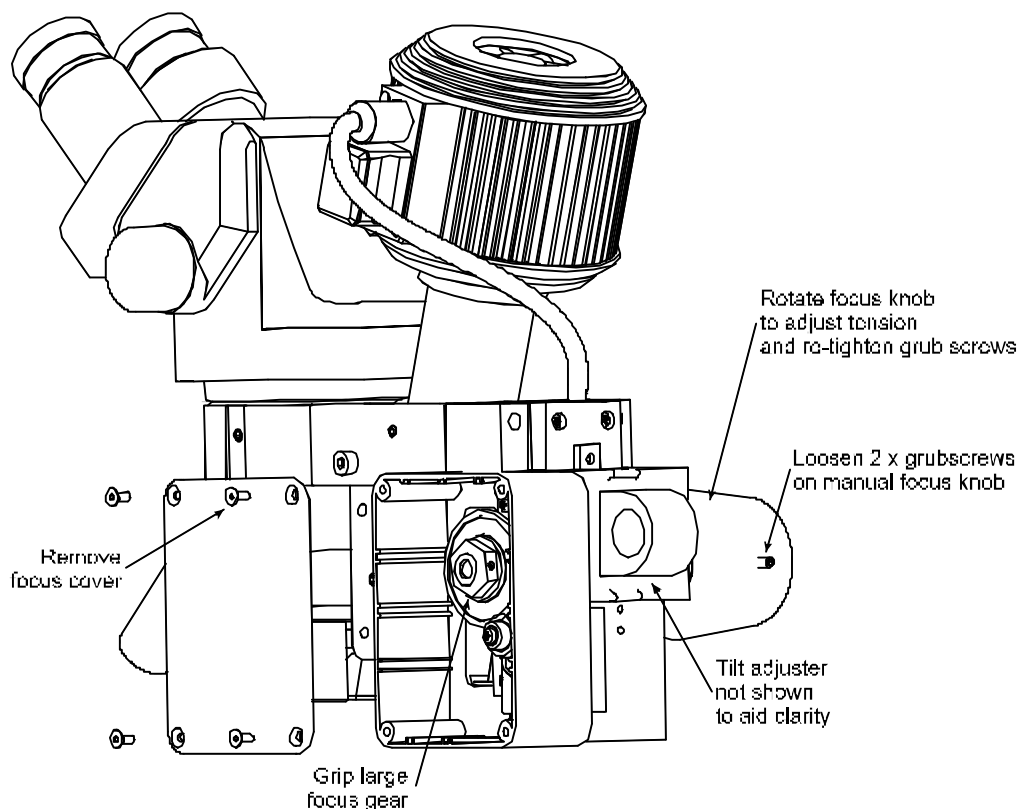


Figure 11: Adjusting focus friction on the SO-111-RF Microscope

MOULD PELLETT REPLACEMENT

Scan Optics microscopes are fitted with mould protection which lasts for approximately 3 years, however, this is dependent on the storage conditions and humidity of the local environment. In extreme tropical climates, it may be necessary to change the mould protection as frequently as every year.

A guide to when the mould protection should be changed is placed on a sticker on the front of the microscope head. However, this is indicative only and users should be guided by their own experience and knowledge of local conditions. As a general precaution, always store the microscope head in a protective bag when not in use, and replace the eyepieces with the protective eyepiece caps.

To replace the mould pellet:

1. Loosen the grub screws holding the head into the bonder arm, and loosen or remove the guide handle screw where it is present.
2. Carefully lift the head out of the bonder arm.
3. Prise off the plastic screw cover, then undo the screw to remove the casing at the back of the head.
4. Peel the old pellet off the inside wall and replace with the new pellet.
5. The new pellet should go on the right hand side of the head.
6. Replace the cover plate and secure the head back into the bonder arm.

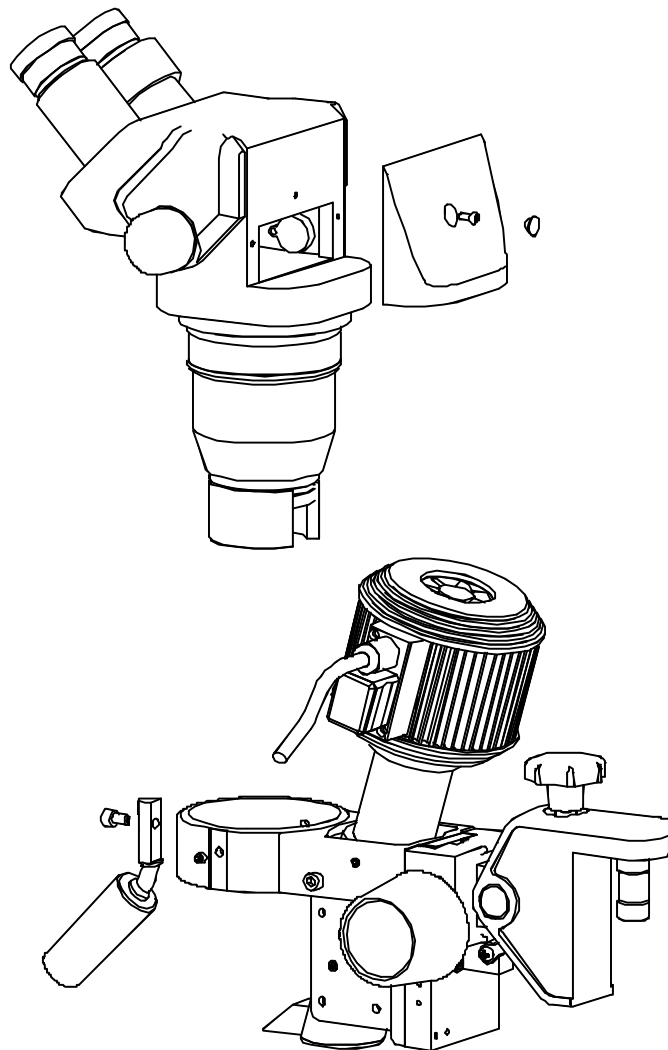


Figure 12: Replacing the mould pellet – standard SO-111-R microscope shown

For microscopes fitted with camera attachments:

Follow steps 1 and 2 above, then

3. Carefully remove the two screws holding the beam splitter to the back of the microscope.
4. Tilt the beam splitter back slightly and remove it, avoiding any contact with the mirror.
5. Replace the pellet as above
6. Replace the beam splitter carefully and secure the head back in the bonder arm.

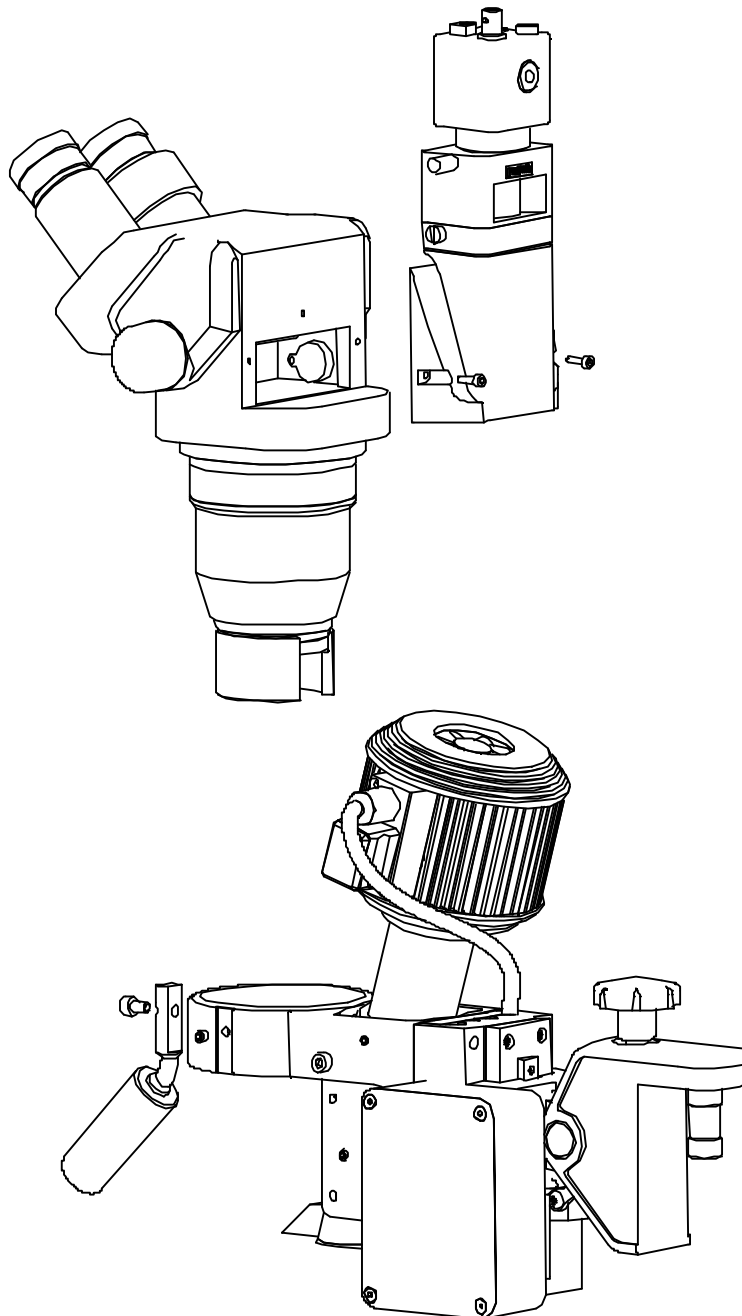


Figure 13: Replacing the mould pellet – microscope fitted with video camera

TROUBLESHOOTING

SYMPTOM	CAUSE	REMEDY
No light	No lamp/failed lamp	Replace lamp
	Mains power failure	Use battery back-up
	Fuse blown	Check and replace fuse if necessary Check mains voltage setting 110/220V
Fuse repeatedly blows	Incorrect voltage setting	Check mains voltage setting 110/220V
	Mains power fault	Check mains wiring, do not use microscope if wired incorrectly. Use battery backup
Low light level	Intensity turned down	Increase intensity
	Aged lamp	Replace lamp
	Dirty optics	Clean eyepieces, prism and objective lens
	Battery power low	Recharge/replace battery
	Incorrect lamp	Replace with lamp of correct specification
	Lamphouse off-centre	Re-centre lamphouse on image centre (use adjusting grub screws)
Microscope falls under own weight	Insufficient focus friction	Increase focus friction
Foot controlled focus does not function	No connection	Connect foot control to underside of power supply
		Open focus cover and check the connection inside the hole in the black plastic block
	Too much friction	Reduce focus friction
	Speed control too low	Increase focus speed
Blurred vision	Dirty optics	Clean eyepieces, prism and objective lens
	Mouldy optics	Carefully clean mould from optical elements and replace mould protection pellet
	Refractive error	Focus right eye first through RHS eyepiece then adjust LHS eyepiece to compensate for error
Microscope unsteady	Unstable surface	Stiffen mounting surface with a plate
	Knobs loose	Tighten adjustment knobs as necessary

SPECIFICATIONS

OPTICAL HEAD

VIEWING SYSTEM	Binocular, stereoscopic (convergence angle 12°) Eyepiece tube inclination 45°
MAGNIFICATION	Zoom magnification, range 4.2 x - 25x
WORKING DISTANCE	Lamphouse prism to object distance 165 mm
FIELD OF VIEW	15 - 65mm, depending on magnification
REFRACTIVE ERROR	Adjustment +6° to -8°, left eyepiece
FOCUSING	Range ± 25mm Control knobs removable for sterilisation
INTERPUPILLARY DISTANCE	Adjustable for PD range approximately 50 to 80mm

ILLUMINATION

ALIGNMENT	Coaxial with viewing system
LAMP	12V 50W quartz-halogen lamp
FILTERS	Internal ultraviolet and infrared filters
AVERAGE LAMP LIFE	Medium intensity: 50 hours
ILLUMINATION	60,000 Lux approximately at maximum setting.
LAMP CHANGE	Plug in for fast change, no screws
POWER SUPPLY	
MAINS POWER	220-240V/0.2A; 110-120V/0.4A
OUTPUT	12V 50W
INTENSITY CONTROL	Continuous
EARTHING	via earth lead on mains cable (green/yellow)
FUSE	250V/3A 20x5 mm
CABLES	<i>Mains:</i> Length 5 metres <i>Battery:</i> Length 5 metres

MOUNTING SYSTEM

HEAD TILT +5, to -45,

VERTICAL TENSION Adjustable gas spring to set lifting force

DIMENSIONS

SO-111-RF Vertical pillar to head optical axis
max 870 mm (34")
SO-111-R max 840 mm (33")
Pantograph arm vertical range 320 mm (13")

MATERIALS

No ferrous metals to rust or corrode

FOOT CONTROLS (SO-111-RF ONLY)

FUNCTIONS Focus control (speed adjustable from power supply)

SWITCHES

IP67 rated (full immersion) sealed switches

